

SPECIFICATION FEATURES

Optical System: Patented field adjustable multi-focal optical system adapts to a broad range of lighting applications. Reflectors are Injection Molded Prismatic Acrylic. Tool-less adjusting mechanism, includes adjustment scale to assist in accurate field-adjustment.

Housing: Heavy gauge, die-cast aluminum with heat-dissipation fins and integral splice-compartment. Cast Aluminum hook with safety clasp included.

Ballast: Magnetic High Reactance Autotransformer. Copper-wound with laminated steel core. High Power factor with 4K ignitor. 100% factory tested after assembly.

Source: Pulse Start Metal Halide, for Vertical, Open-Rated operation, with internal Quartz shroud around arc-tube, clear envelope standard. (Lamp ordered separately)

Socket: Mogul Exclusionary Base (EX39). Porcelain, with "pink" glaze. Nickel-plated brass screwshell. Open rated, requiring extended-pin open-rated lamp.

Finish: White polyester powder coat

Listing: UL Listed, suitable for damp locations, 40° C ambient



NOTE: Assembled and shipped by a U.L. certified supplier. Made in USA

ORDERING INFORMATION

Catalog number:

HBM	SPA22	575PSM	1	2
Type	Family	Wattage /Source	Voltage	Options

- Type: HBM = High Bay Magnetic
- Family: SPA22 = Standard Prismatic Acrylic 22" Ø
- Wattage: 575 = 575 watts
- Source: PSM = Pulse Start Metal Halide
- Voltage: *** = refer to voltage options 1
- Option 2: *** = refer to options 2 listed

STINGRAY ENERGY SYSTEMS, LLC

1550 Douglas Drive
 Charleston, IL 61920

Telephone: (847) 656-3557

Facsimile : (217) 348-5391

Web site : www.stingrayenergy.com

Please quote the catalog number (Cat. No.) by specifying the appropriate options (1 and 2) as shown below:

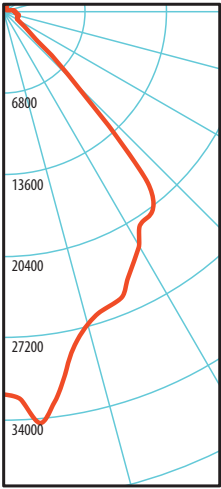
- 1 Voltage:** MT = Multi-Tap (120, 208, 240, 277)
 TT = Tri-Tap (120, 277, 347)
 480 = 480 volt
 277 = 277 volt Lag/Reactor ballast

- 2 Options: Cord:**
 CB3 = 3 ft. Black cord CW3 = 3 ft. White cord
 CB6 = 6 ft. Black cord CW6 = 6 ft. White cord
 CB8 = 8 ft. Black cord CW8 = 8 ft. White cord

- Plugs** (Twist-lok caps)
- P51 (NEMA L5-15P) P71 (NEMA L7-15P)
 - P52 (NEMA L5-20P) P72 (NEMA L7-20P)
 - P53 (NEMA L5-30P) P73 (NEMA L7-30P)
 - P61 (NEMA L6-15P) P81 (NEMA L8-15P)
 - P62 (NEMA L6-20P) P82 (NEMA L8-20P)
 - P63 (NEMA L6-30P) P83 (NEMA L8-30P)

- SF = Single Fuse (120, 277, 347 volt)
- DF = Double Fuse (208, 240, 480 volt)
- QRS = Quartz Restrike (wattage equal or less than HID)
- Bi-Level Dimming - Consult Factory

Accessories: all field-installed please order separately
 SCK = Safety Cable Kit



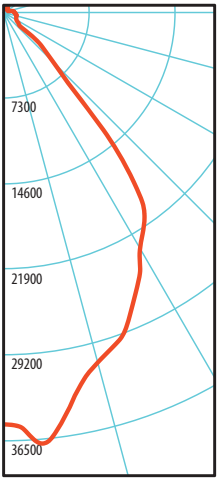
Candela Values Angle 0	
0	31861
5	34377
15	26899
25	24495
35	20878
45	7526
55	1645
65	1229
75	1241
85	1032
90	937
95	887
105	549
115	359
125	332
135	360
145	418
155	468
165	411
175	398
180	455

Zonal Lumen Summary			
Zone	Lumens	% Lamp	% Fixture
0° - 90°	47513.3	79.2	93.7
90° - 180°	3192.1	5.3	6.3
0° - 180°	50705.4	84.5	100.0

#ITL58376
Spacing Criteria= 1.1

Coefficients of Utilization

pf	10%											
	80%			50%			30%			10%		
pc	50%	30%	10%	50%	30%	10%	50%	30%	10%	50%	30%	10%
0	91	91	91	86	86	86	83	83	83	81	81	81
1	83	81	79	79	77	76	76	75	74	74	73	72
2	76	73	70	72	70	67	70	68	66	68	66	64
3	70	66	62	67	63	60	65	62	59	63	60	58
4	65	60	56	62	57	54	60	56	53	58	55	52
5	60	54	50	57	52	49	55	51	48	54	50	48
6	55	50	46	53	48	45	51	47	44	50	46	43
7	51	46	42	49	44	41	48	43	40	46	43	40
8	47	42	38	46	41	37	44	40	37	43	39	37
9	44	39	35	42	38	34	41	37	34	40	37	34
10	41	36	32	40	35	32	39	35	32	38	34	31



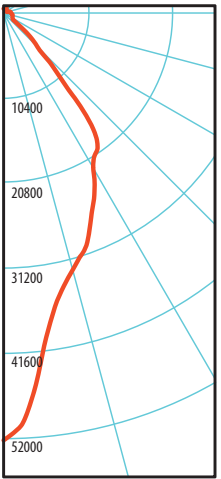
Candela Values Angle 0	
0	35100
5	36923
15	30943
25	26565
35	20892
45	5964
55	1550
65	1248
75	1182
85	971
90	933
95	867
105	573
115	407
125	389
135	423
145	773
155	681
165	475
175	442
180	518

Zonal Lumen Summary			
Zone	Lumens	% Lamp	% Fixture
0° - 90°	46787.2	78	92.8
90° - 180°	3638.7	6.1	7.2
0° - 180°	50425.8	84	100.0

#ITL58375
Spacing Criteria= 1.0

Coefficients of Utilization

pf	10%											
	80%			50%			30%			10%		
pc	50%	30%	10%	50%	30%	10%	50%	30%	10%	50%	30%	10%
0	90	90	90	85	85	85	82	82	82	79	79	79
1	83	81	79	78	77	75	76	74	73	73	72	71
2	76	73	70	72	70	67	70	68	66	67	66	64
3	70	66	63	67	63	61	65	62	59	63	60	58
4	65	60	56	62	58	55	60	57	54	58	55	53
5	60	55	51	57	53	50	56	52	49	54	51	48
6	56	51	47	53	49	46	52	48	45	50	47	45
7	52	47	43	50	45	42	49	45	42	47	44	41
8	49	43	40	47	42	39	45	41	38	44	41	38
9	45	40	37	44	39	36	43	39	36	42	38	35
10	43	37	34	41	37	33	40	36	33	39	35	33



Candela Values Angle 0	
0	52247
5	45686
15	32606
25	25767
35	20022
45	5952
55	1537
65	1224
75	1165
85	981
90	964
95	923
105	631
115	409
125	390
135	427
145	793
155	743
165	483
175	456
180	533

Zonal Lumen Summary			
Zone	Lumens	% Lamp	% Fixture
0° - 90°	46959.1	78.3	92.5
90° - 180°	3828.8	6.4	7.5
0° - 180°	50787.9	84.6	100.0

#ITL58374
Spacing Criteria= 0.7

Coefficients of Utilization

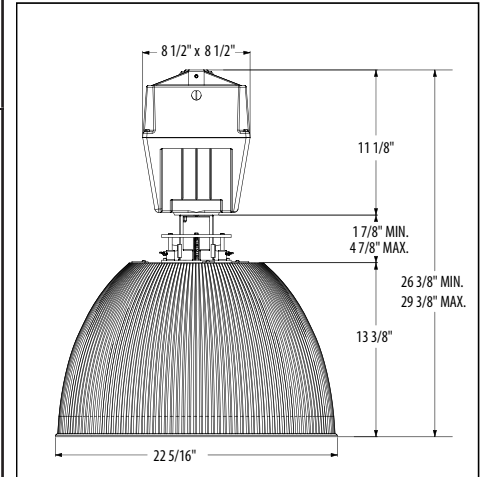
pf	10%											
	80%			50%			30%			10%		
pc	50%	30%	10%	50%	30%	10%	50%	30%	10%	50%	30%	10%
0	91	91	91	86	86	86	83	83	83	80	80	80
1	83	81	79	79	77	76	76	75	73	73	72	71
2	77	73	70	73	70	68	70	68	66	68	66	65
3	71	67	63	67	64	61	65	62	60	63	61	59
4	66	61	57	63	59	56	61	57	55	59	56	54
5	61	56	52	58	54	51	56	53	50	55	52	49
6	57	52	48	54	50	47	53	49	46	51	48	45
7	53	48	44	51	46	43	49	45	43	48	45	42
8	50	44	41	48	43	40	46	42	39	45	42	39
9	46	41	38	45	40	37	43	40	37	42	39	36
10	44	39	35	42	38	35	41	37	34	40	36	34



Item : HBM SPA 575
Photometric Laboratory :
Independent Testing Laboratories, Inc.
Based on one 575-Watt Clear BT-37 PS MH VBU
(Open Rated)

575 Watt Electrical Data

Voltage	Circuit	Watts	Amps
120	HX	660	5.5
208	HX	660	3
240	HX	660	2.8
277	HX	660	2.5
347	HX	635	2.05
480	HX	645	1.45
277R	Reactor	645	3.15



STINGRAY ENERGY SYSTEMS, LLC
1550 Douglas Drive Telephone : (847) 656-3557
Charleston, IL 61920 www.stingrayenergy.com