

SPECIFICATION FEATURES

Optical System: Patented field adjustable multi-focal optical system adapts to a broad range of lighting applications. Reflectors are Injection Molded Prismatic Acrylic. Tool-less adjusting mechanism, includes adjustment scale to assist in accurate field-adjustment.

Housing: Heavy gauge, die-cast aluminum. Removable top splice-compartment with cast aluminum hook. 3/4" K.O.'s top and sides.

Ballast: Electronic High Frequency. 6KV starting pulse with strike limiter. High Power Factor. Integral fusing. 100% factory tested after assembly.

Source: Pulse Start Metal Halide, for Vertical, Open-Rated operation, with internal Quartz shroud around arc-tube, coated envelope. (Lamp ordered separately).

Socket: Mogul Exclusionary Base (EX39). Porcelain, with "pink" glaze. Nickel-plated brass screwshell. Open rated, requiring extended-pin open-rated lamp.

Finish: White polyester powder coat

Listing: UL Listed, suitable for damp locations, 40° C ambient



NOTE: Assembled and shipped by a U.L. certified supplier. Made in USA

ORDERING INFORMATION

Catalog number:

HBE	SPA22	250	1	VS	2
Type	Family	Wattage	Source	Voltage	Options

Type: HBE = High Bay Electronic
 Family: SPA22 = Standard Prismatic Acrylic 22" Ø
 Wattage: 250 = 250 Watts
 Voltage: VS = Voltage Sensing (200 - 300 volts)

STINGRAY ENERGY SYSTEMS, LLC

1550 Douglas Drive
 Charleston, IL 61920

Telephone: (847) 656-3557

Facsimile : (217) 348-5391

Web site : www.stingrayenergy.com

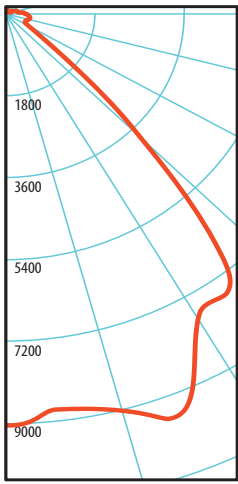
Please quote the catalog number (Cat. No.) by specifying the appropriate options (1 and 2) as shown below:

1 Source: PSM = Pulse Start Metal Halide
 CMH = Ceramic Metal Halide

2 Options: Cord:
 CB3 = 3 ft. Black cord CW3 = 3 ft. White cord
 CB6 = 6 ft. Black cord CW6 = 6 ft. White cord
 CB8 = 8 ft. Black cord CW8 = 8 ft. White cord

Plugs (Twist-lok caps)
 P61 (NEMA L6-15P) P71 (NEMA L7-15P)
 P62 (NEMA L6-20P) P72 (NEMA L7-20P)
 P63 (NEMA L6-30P) P73 (NEMA L7-30P)

Accessories: all field-installed please order separately
 SCK = Safety Cable Kit



Candela Values

Angle	0
0	9037
5	8828
15	9030
25	8992
35	7628
45	3691
55	805
65	435
75	466
85	448
90	381
95	319
105	187
115	90
125	68
135	77
145	73
155	84
165	90
175	86
180	104

Zonal Lumen Summary

Zone	Lumens	% Lamp	% Fixture
0° - 90°	17470.8	77.3	95.2
90° - 180°	874.4	3.9	4.8
0° - 180°	18345.2	81.2	100.0

#ITL57337
Spacing Criteria= 1.3

Coefficients of Utilization

pf	10%											
	80%			50%			30%			10%		
pc	50%	30%	10%	50%	30%	10%	50%	30%	10%	50%	30%	10%
0	87	87	87	83	83	83	81	81	81	78	78	78
1	80	77	75	76	74	73	74	72	71	71	70	69
2	73	69	66	69	67	64	67	65	63	65	63	62
3	67	62	59	64	60	57	62	59	56	60	57	55
4	61	56	52	58	54	51	57	53	50	55	52	50
5	56	51	47	54	49	46	52	48	45	51	47	45
6	52	46	42	50	45	42	48	44	41	47	43	41
7	48	42	38	46	41	38	45	40	37	43	40	37
8	44	39	35	42	38	34	41	37	34	40	37	34
9	41	36	32	39	35	31	39	34	31	38	34	31
10	38	33	29	37	32	29	36	32	29	35	31	28



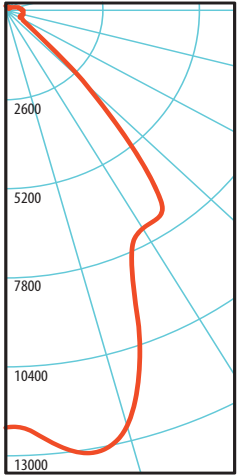
Item : HBE SPA 250

Photometric Laboratory :
Independent Testing Laboratories, Inc.
Based upon one 250-Watt coated ED-28 PS MH VBU
(Open Rated)

250 Watt Electrical Data

Voltage	Circuit	Watts	Amps
208	EHF*	263	1.3
240	EHF*	264	1.2
277	EHF*	265	1.0

*Electronic High Frequency



Candela Values

Angle	0
0	12175
5	12536
15	12633
25	8220
35	7345
45	3024
55	684
65	440
75	476
85	456
90	447
95	419
105	284
115	145
125	86
135	86
145	93
155	99
165	138
175	109
180	138

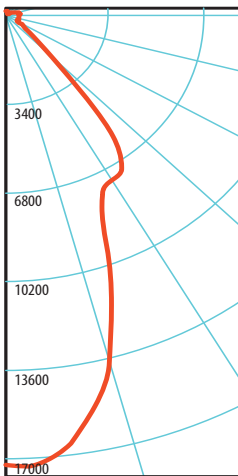
Zonal Lumen Summary

Zone	Lumens	% Lamp	% Fixture
0° - 90°	17606.8	77.9	93.7
90° - 180°	1193.4	5.3	6.3
0° - 180°	18800.1	83.2	100

#ITL57336
Spacing Criteria= 0.9

Coefficients of Utilization

pf	10%											
	80%			50%			30%			10%		
pc	50%	30%	10%	50%	30%	10%	50%	30%	10%	50%	30%	10%
0	89	89	89	85	85	85	82	82	82	79	79	79
1	82	79	77	77	76	74	75	73	72	72	71	70
2	75	71	68	71	68	66	69	67	65	67	65	63
3	69	65	61	66	62	59	64	61	58	62	59	57
4	64	59	55	61	57	54	59	55	53	57	54	52
5	59	54	50	56	52	49	55	51	48	53	50	47
6	55	49	45	52	48	45	51	47	44	49	46	43
7	51	45	42	49	44	41	47	43	40	46	43	40
8	47	42	38	45	41	38	44	40	37	43	40	37
9	44	39	35	43	38	35	41	37	34	40	37	34
10	41	36	33	40	35	32	39	35	32	38	34	32



Candela Values

Angle	0
0	17229
5	17179
15	13731
25	7862
35	7047
45	2716
55	650
65	444
75	483
85	464
90	475
95	474
105	364
115	196
125	112
135	112
145	102
155	120
165	147
175	138
180	156

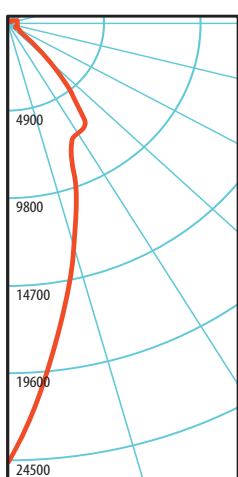
Zonal Lumen Summary

Zone	Lumens	% Lamp	% Fixture
0° - 90°	17586.6	77.8	92.3
90° - 180°	1474.8	6.5	7.7
0° - 180°	19061.4	84.3	100

#ITL57335
Spacing Criteria= 0.7

Coefficients of Utilization

pf	10%											
	80%			50%			30%			10%		
pc	50%	30%	10%	50%	30%	10%	50%	30%	10%	50%	30%	10%
0	90	90	90	85	85	85	82	82	82	79	79	79
1	83	80	78	78	76	75	75	74	73	73	72	70
2	76	73	70	72	69	67	70	67	65	67	65	64
3	70	66	62	67	63	60	64	62	59	62	60	58
4	65	60	57	62	58	55	60	57	54	58	55	53
5	60	55	52	58	53	50	56	52	49	54	51	49
6	56	51	47	54	49	46	52	48	45	51	47	45
7	52	47	43	50	46	43	49	45	42	47	44	41
8	49	44	40	47	43	39	46	42	39	45	41	38
9	46	41	37	44	40	37	43	39	36	42	38	36
10	43	38	35	42	37	34	41	37	34	40	36	33



Candela Values

Angle	0
0	24652
5	20232
15	13115
25	7593
35	6918
45	2746
55	659
65	452
75	495
85	486
90	506
95	525
105	451
115	269
125	146
135	124
145	104
155	133
165	157
175	151
180	166

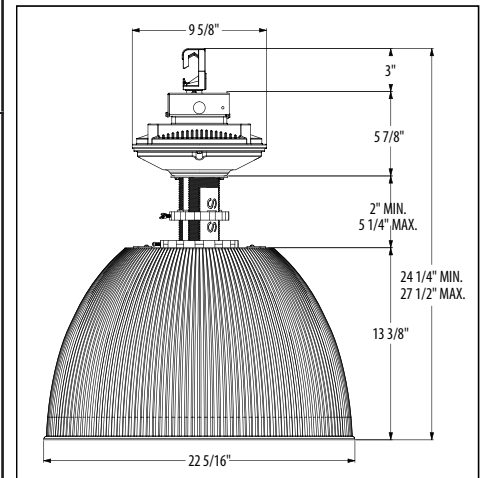
Zonal Lumen Summary

Zone	Lumens	% Lamp	% Fixture
0° - 90°	17562.4	77.7	91
90° - 180°	1730.9	7.7	9
0° - 180°	19293.3	85.4	100

#ITL57334
Spacing Criteria= 0.5

Coefficients of Utilization

pf	10%											
	80%			50%			30%			10%		
pc	50%	30%	10%	50%	30%	10%	50%	30%	10%	50%	30%	10%
0	91	91	91	86	86	86	82	82	82	79	79	79
1	83	81	79	78	77	75	75	74	73	73	71	70
2	77	73	70	72	70	67	70	67	65	67	65	64
3	71	66	63	67	64	61	65	62	59	62	60	58
4	66	61	57	62	58	55	60	57	54	58	55	53
5	61	56	52	58	54	50	56	52	49	54	51	49
6	57	51	48	54	50	46	52	48	46	51	47	45
7	53	48	44	50	46	43	49	45	42	48	44	41
8	50	44	41	47	43	40	46	42	39	45	41	39
9	46	41	38	45	40	37	43	39	36	42	39	36
10	44	39	35	42	38	35	41	37	34	40	36	34



STINGRAY ENERGY SYSTEMS, LLC
1550 Douglas Drive
Charleston, IL 61920
Telephone : (847) 656-3557
www.stingrayenergy.com